

**WOODFIELD**

Safe Hands

## LOADING ARM SOLUTIONS



# ABOUT WOODFIELD

Woodfield Systems is a premier design, manufacturing, sales & service organization providing customized bulk fluid handling and safety access solutions for loading and unloading product in the oil & gas, chemical, petrochemical, cryogenic and aviation sector.

Woodfield Systems manufactures loading arms, safety access systems, floating suction unit and metering/processing skid systems integrated into a complete solution to meet the needs of our clients.

Woodfield Systems has a state of the art engineering and manufacturing facility in India, United States and Europe with sales offices across the world. These facilities allow for immediate response to any customer's needs, regardless of their location in the world.

An ISO 9001:2015, ISO 14001:2015, ISO 45001:2018, PED:CE and AD 2000-Merkblatt HPO/DIN EN ISO 3834-2 Integrated quality management system and a passionate leadership team, Woodfield Systems continues to keep all our clients and team members "in safe hands"...



# WOODFIELD PRODUCTS AND SERVICES

## Introduction

- **Loading Arms** are used to provide a quick, easy and environmentally safe connection between a storage tank and a moveable transportation vessel like tank trucks, rail cars, container, IBC, river barges etc.
- By use of highly developed and reliable **Swivel Joints** rigid pipes are getting moveable.
- Tight under pressure and carrying all mechanical loads Swivel Joints are the core components in Loading Arms, making the difference at all. Lifetime tested and certified by external authorities Woodfield's Swivel Joints are successful in use since decades.
- **Liquids handled** can be from foodstuffs to high toxic chemicals, from liquified gases to hot bitumen. A wide variety of applications possible!
- **MOC:** aluminum, carbon steel, stainless steel or special alloys (like monel, Inconel, hasteloy, duplex and super duplex sst etc.)
- Swivel Joint **seal materials** vary from Buna, Viton, PTFE to special compounds to cover each and every application
- **Standard sizes** are from 2" to 6", others on request
- Loading Arms are balanced by **spring cylinders**. Pneumatic or hydraulic operation is available on request.
- **Design pressure** up to 40 bar
- **Design temperature** -196 to +300°C possible



## Top Loading Arms

- Loading or unloading through the manhole on top of the vessel
- **Fixed reach** for small sized tank terminals with lower frequency of use, accurate positioning of (small) single compartment vehicles
- **Variable reach** (“scissors” design) for medium sized tank terminals with medium frequency of use, flexible positioning of small single compartment vehicles
- **Long reach** for big tank farms with high frequency of use, flexible positioning of multicompartiment vessels

## Accessories

*A great variety of accessories is available to:*

- ✓ *Improve the Loading Arm handling*
- ✓ *To help monitoring the loading arm and the process*
- ✓ *Safeguard operators*
- ✓ *Protect the environment*
- ✓ *Improve efficiency of use and hence to safe operators' money*



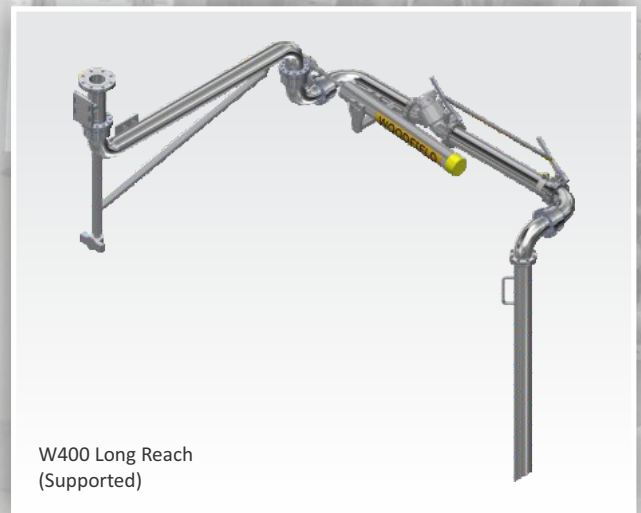
W100 Fixed Reach



W200 Variable Reach



W300 Long Reach  
(Unsupported)



W400 Long Reach  
(Supported)

More Loading Arm designs available on request!

## Bottom Loading Arms

- Loading or unloading through the connection at the bottom of the vessel
- Bottom Hose Loading Arms to serve API RP 1004 connection and working envelope
- Long reach for flexible positioning of the vessels and frequent use
- Long Reach with supported or unsupported boom

## Supply

- ✓ *All Woodfield Loading Arms arrive assembled and tested at site.*
- ✓ *Easy installation is guaranteed.*
- ✓ *We provide installation or supervision if required.*
- ✓ *Detailed documentation is part of our supply.*
- ✓ *Sign a service contract for regular site inspection visits with us!*



More Loading Arm designs available on request!

## Specialty Loading Arms

Top and Bottom Loading Arms for special applications

- with vapor recovery
- with heating
- with internal lining (PTFE or similar)
- and more...

## Certified by TÜV

- ✓ ISO9001:2015
- ✓ ISO 14001:2015
- ✓ ISO45000:2018
- ✓ PED: 97/23/EC
- ✓ AD 2000, HPO/DIN EN ISO 3834-2



More Loading Arm designs available on request!

## Woodfield Systems USA

200 Business Park Boulevard, Columbia, South Carolina 29203. USA.  
US/Canada Toll Free :+1 888 915 6266 | International :+1 803 399 7597  
Email: sales.usa@woodfieldsystems.com

**WOODFIELD**

## Woodfield Systems International

302-A, Nitco Biz Park, Plot No. C-19, Road No.16, Wagle Estate, Thane (W) - 400604. Maharashtra, India.  
Phone: +91-22-6704 0000 | Fax: +91-22-6704 0099 | Email: sales@woodfieldsystems.com

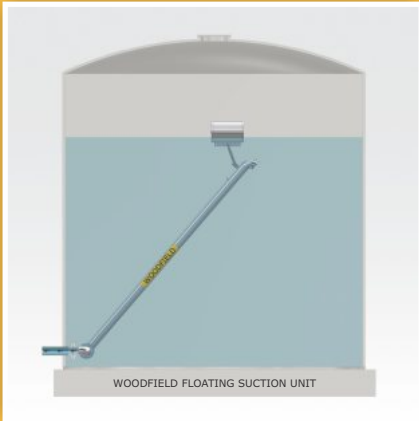
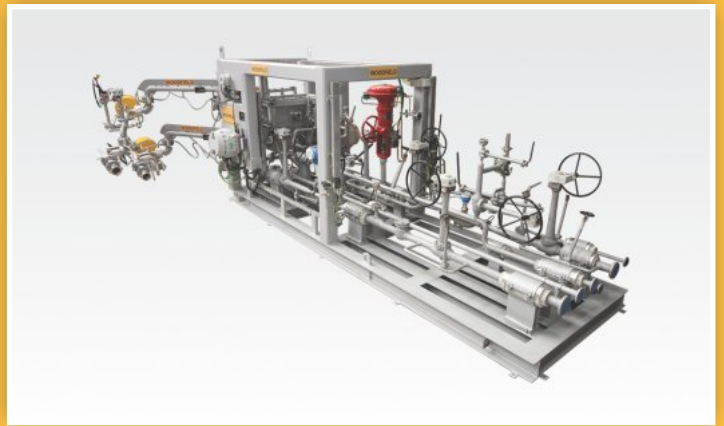
Safe Hands

## Woodfield Systems Europe

Avda. San Francisco Javier, 9 Off. 1129, 41018 Sevilla, Spain  
Tel : +34 955 300 424 | Email : sales.es@woodfieldsystems.com

www.woodfieldsystems.com

## Let Woodfield Systems Complete the Solution



The Contents of this publication are presented for information purpose only, and while effort has been made to ensure their accuracy, they are not to be construed as warranties or guarantees, expressed or implied, regarding the products or services described herein or their use or applicability. All sales are governed by our terms and conditions, which are available on request. We reserve the right to modify or improve the designs or specifications of our products at anytime without notice and hence are subject to change. Woodfield Systems accepts no responsibility for any errors that may appear in this description. This catalogue is a property of Woodfield Systems. Any Reproduction or Reprint or Replication of this content is prohibited.